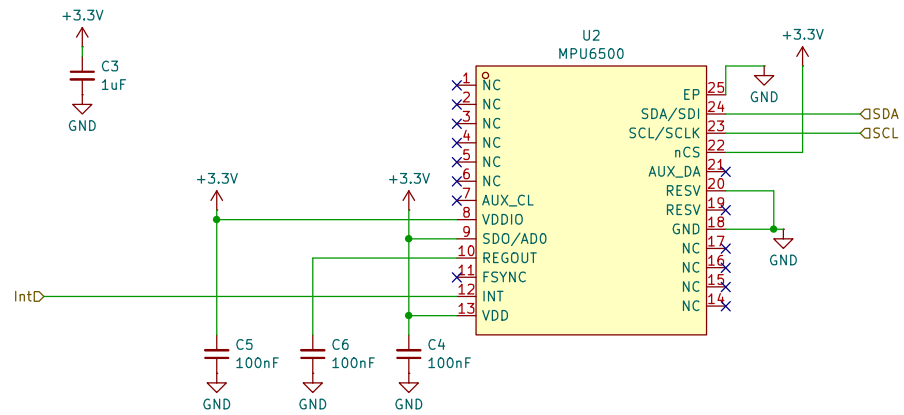


Sheet: /	
File: Main.kicad_sch	
Title: Robomates Main PCB	
Size: A4	Date: 2026-02-23
KiCad E.D.A. 9.0.5	Rev: 1.0
	Id: 1/6



Sheet: /IMU/
File: IMU.kicad_sch

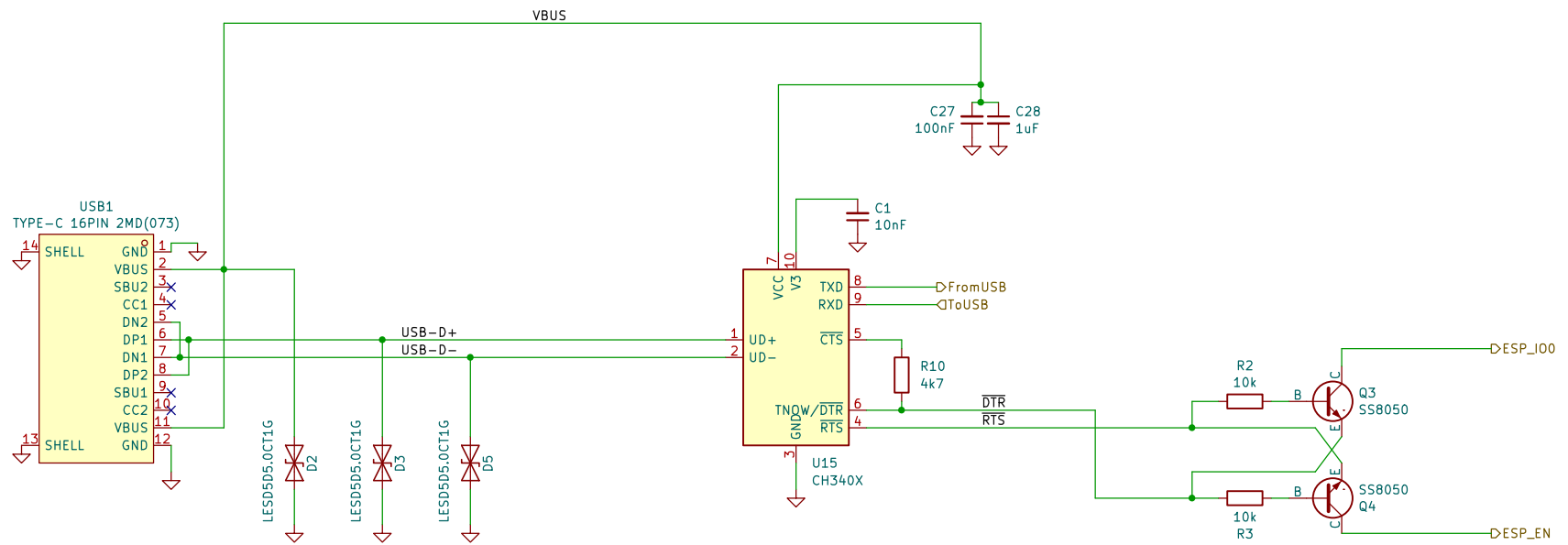
Title: Robotmates Main PCB

Size: A4 Date: 2026-02-23

KiCad E.D.A. 9.0.5

Rev: 1.0

Id: 2/6

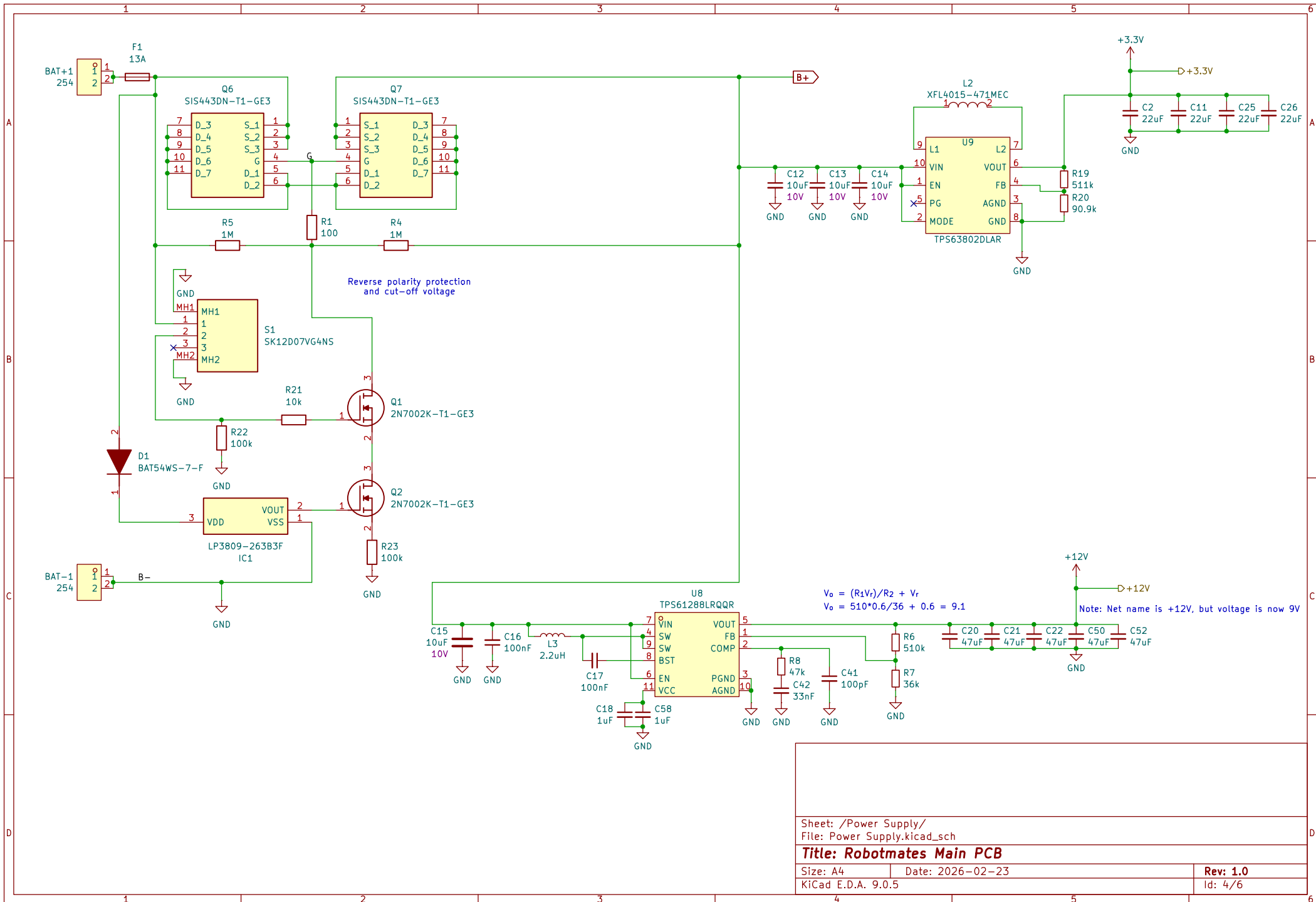


Sheet: /USB/
 File: USB.kicad_sch

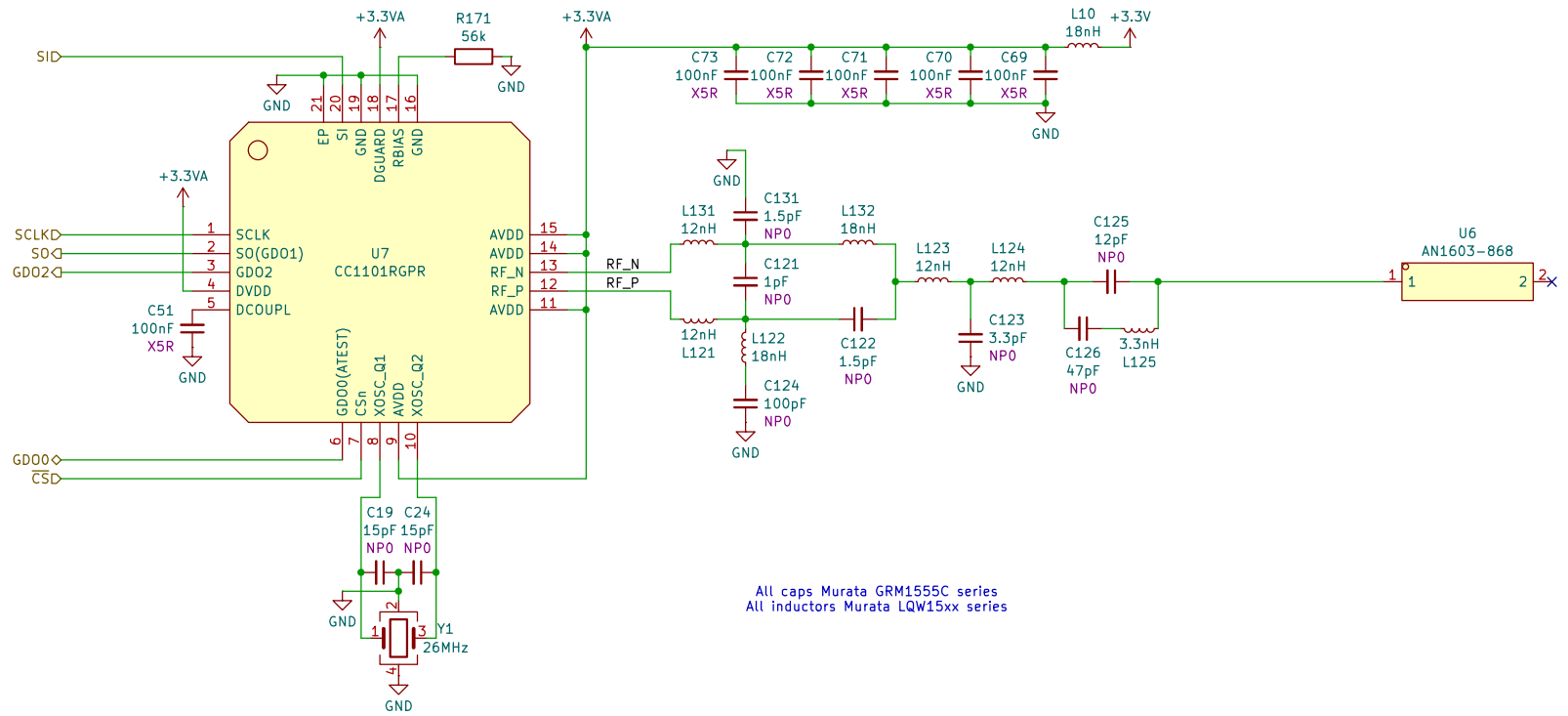
Title: Robotmates Main PCB

Size: A4 | Date: 2026-02-23
 KiCad E.D.A. 9.0.5

Rev: 1.0
 Id: 3/6



Sheet: /Power Supply/	
File: Power Supply.kicad_sch	
Title: Robotmates Main PCB	
Size: A4	Date: 2026-02-23
KiCad E.D.A. 9.0.5	Rev: 1.0
	Id: 4/6



All caps Murata GRM1555C series
 All inductors Murata LQW15xx series

Sheet: /Radio/	
File: Radio.kicad_sch	
Title: Robotmates Main PCB	
Size: A4	Date: 2026-02-23
KiCad E.D.A. 9.0.5	Rev: 1.0
	Id: 5/6

