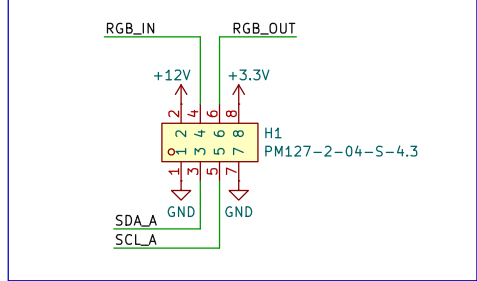
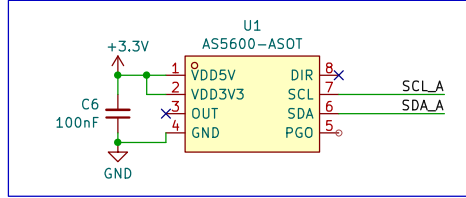


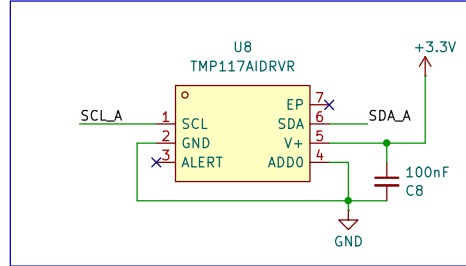
Sockets



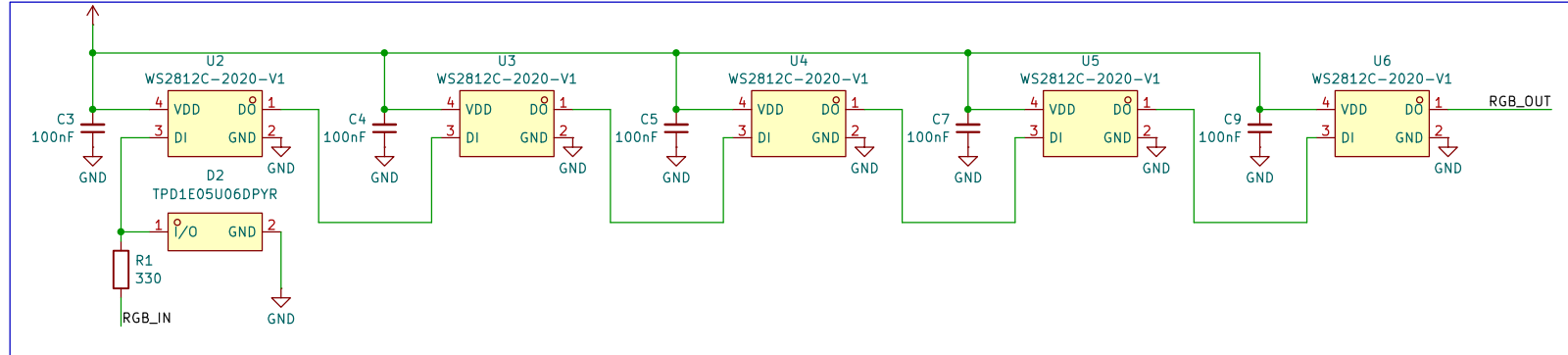
Encoder



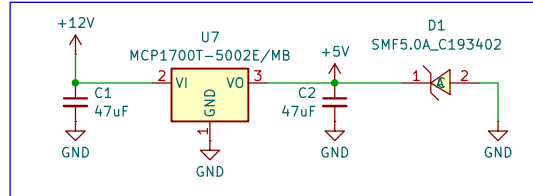
Temperature sensor



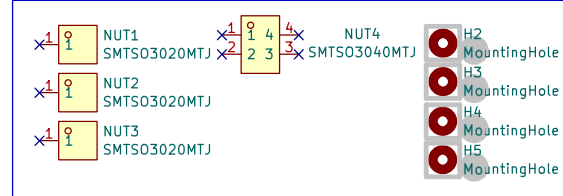
LEDs



Power



Nuts and holes



Sheet: /  
File: Left Motor.kicad\_sch

**Title: Robotmates Left PCB**

Size: A4 Date: 2026-02-23  
KiCad E.D.A. 9.0.5

Rev: 1.0  
Id: 1/1